

WLAN+BT: PCB 88W8787 Module – Single Band w/ Fast Clock

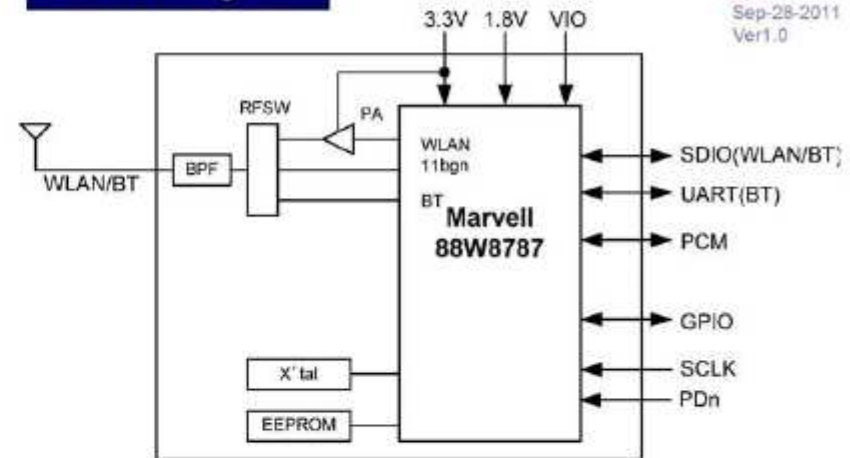


Sep-28-2011
Ver1.0

Features WYSBCVGXA - iW

- IEEE802.11b/g/n standard conformity, BT3.0,2.1+EDR
- Low standby current (with advanced power save and sleep mode)
- Transmit speed : 11/5.5/2/1 Mbps(11b), 54/48/36/24/18/12/9/6 Mbps(11g), 150~6.5 Mbps (11n)
- Channel Number : 1 to 13 channel (11g), 79 channel (BT)
- Interface : SDIO, UART, PCM
- Built-in EEPROM, 2G-PA, Crystal, BPF
- Security: WEP (64/128), TKIP, AES, WPA/WPA2, WAPI
- Small Outline: 9.0 x 8.8 x 1.35(Max) mm
- Package: Metal case package
- RoHS Conformity

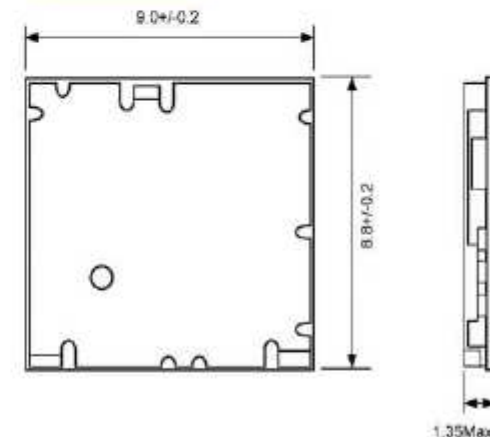
Block Diagram



General Electrical Specification

Parameter	Description	Min.	Typ.	Max.	Units
Operation Voltage (TBD)	Core_3.3V	3.0	3.3	3.6	V
	Core_1.8V	1.71	1.8	1.89	V
	VIO	1.62/2.97	1.8/3.3	1.98/3.63	V
TX Output Power (11b/g/n) (BT BR)	11b/11g/11n		15/12/11		dBm
	BT		5		
RX Sensitivity (11b/g/n) (BT BR)	11b/11g/11n		-86/-72/-66	-76/-65/-61	dBm
	BT		-86	-70	
TX Power Consumption	11b/11M (Duty43.4%)		395		mW
RX Power Consumption	11n/MCS7-HT40		260		mW
Power Consumption	Deep Sleep Mode VIO3.3V/VIO1.8V		2.3 / 0.7		mW
General Operation Temperature Range		-10	25	70	deg-C

Outline



Unit: mm